

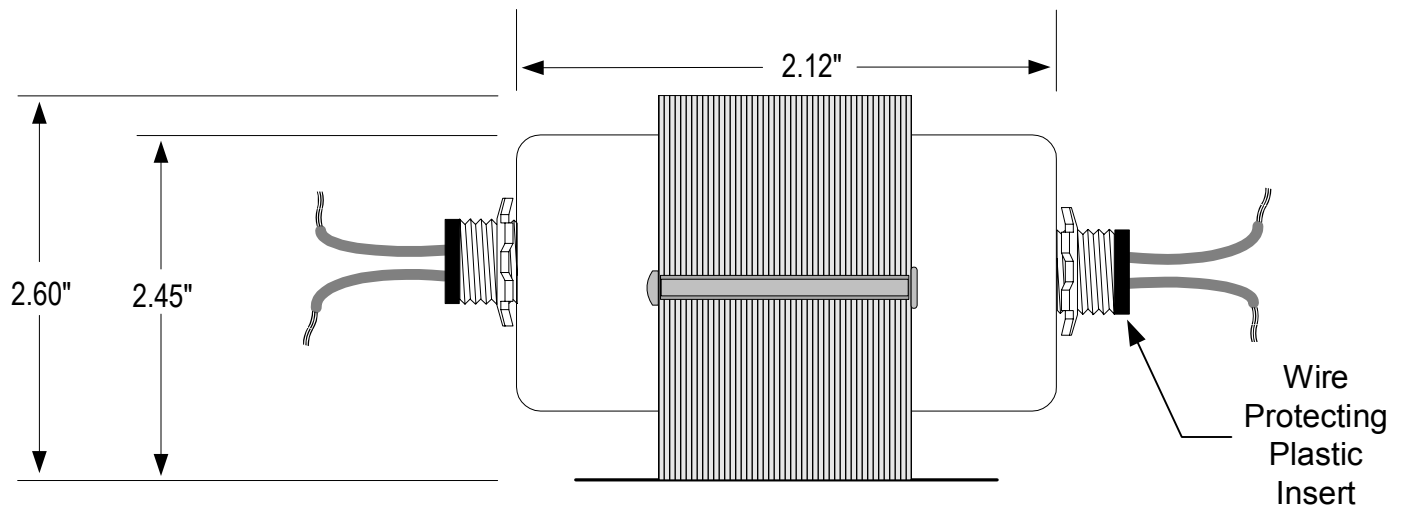
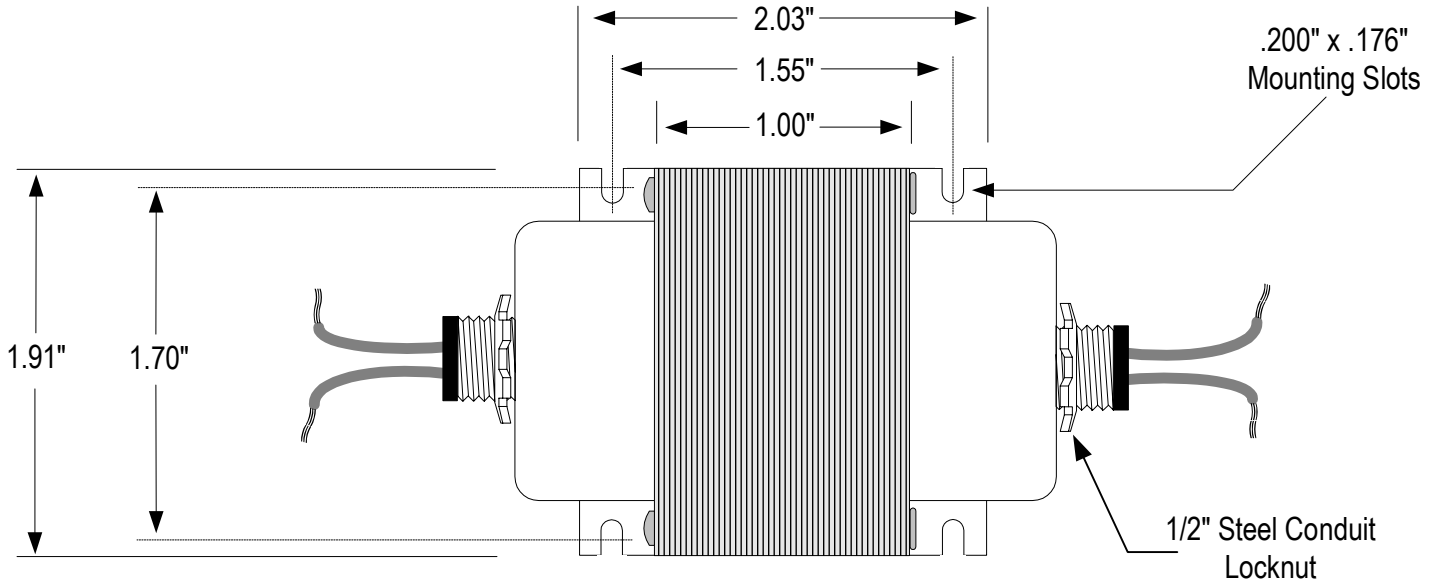


PRODUCT OF LECTRO COMPONENTS, INC.  
Carol Stream, IL  
www.corehvac.com

Phone 630 690 0520 or 1 800 323 2282 Fax 630 690 0563

# LE11177

Part Number LE11177 - 120-024-020-2TF				
Rev.	Description	By	App.	Date
*	First Release	CDC	CDC	10/24/00
NOTE				
All Dimensions are Ref. Only				



## Specifications

- Input:** 120V
- Output:** 24V
- VA Rating:** 20VA
- Frequency Rating:** 50/60 Hz
- Circuit Breaker Type:** Internal 75 Deg. C Thermal Cut-Out
- Configuration:** Steel End Bells
- Mounting(s):** Slotted Foot Mounts and Threaded Flange Hubs
- Primary Wires:** 7.5" Long with .375" ends Stripped and Tinned
- Secondary Wires:** 7.5" Long with .375" ends Stripped and Tinned
- Approvals:** UL Listed for US and Canada File E173056. Class II Transformer.