

# PANEL & INSTALLATION MATERIALS



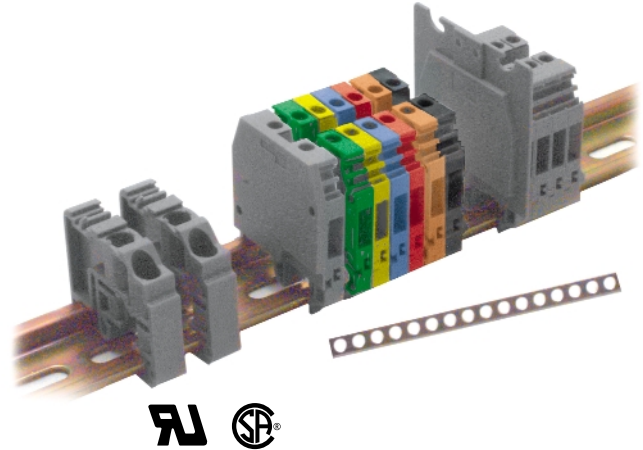
## DIN RAIL TERMINAL BLOCKS MODEL M4/6

### DESCRIPTION

**Model M4/6 DIN Rail Terminal Blocks** offer a modular design for flexibility in layout and reduced installation time. Unique marker holders provide optional top- or side-mount marking capability. These blocks can be used with the Model M10/16SFL fuse holder.

### FEATURES

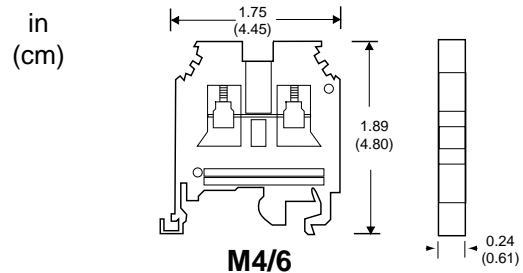
- *Wire secured by ribbed compression clamp*
- *Universal DIN rail mounting*
- *Reduced installation time*
- *Block removable without displacing adjacent blocks*
- *Various marking options*



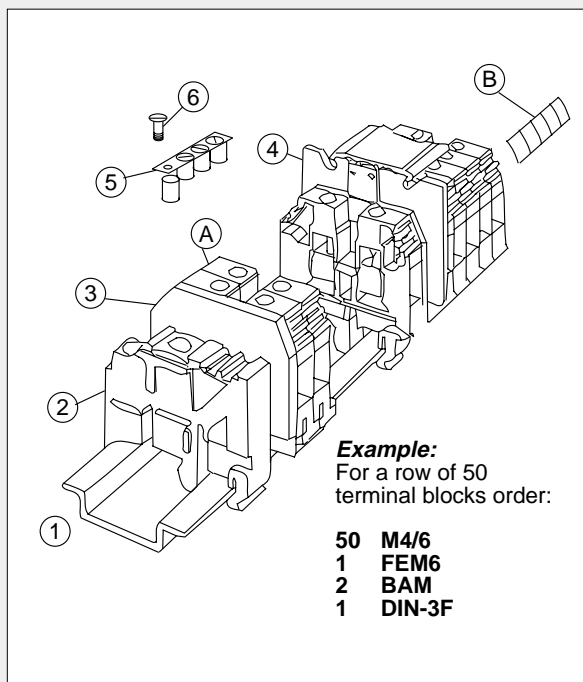
### SPECIFICATIONS

Rated voltage	600 VAC/DC
Rated current	30A UL, 25A CSA
Rated wire size	22-10 AWG
Spacing	0.24" (0.60 cm)
Circuits per foot	50
Approvals	UL recognized, File #E60645, E72667 CSA certified

### DIMENSIONS



### ORDERING INFORMATION



MODEL	DESCRIPTION
A M4/6	DIN Rail Terminal Block, Gray
M4/6-BK	DIN Rail Terminal Block, Black
M4/6-BL	DIN Rail Terminal Block, Blue
M4/6-GR	DIN Rail Terminal Block, Green
M4/6-RD	DIN Rail Terminal Block, Red
M4/6-OR	DIN Rail Terminal Block, Orange
M4/6-YW	DIN Rail Terminal Block, Yellow
M4/6.P	DIN Rail Grounding Block, Green & Yellow
ACCESSORIES	
1 DIN-3F	35 mm steel DIN Mounting Rail, 39.4"L (1m)
2 BAM	End Stop (2 required)
3 FEM6	End Section (1 required)
4 SCF6	Circuit Separator
5 BJS6	Jumper Bar, 20 poles/bar
6 EV6	Jumper Bar Hardware (screw & post, pkg. 20)
MARKERS (Side-mount, individually scored)	
RC610B	Blank Strips
RC610/1-10	10 Strips of 1-10
RC610/1-50	2 Strips of 1-50
RC610/1-100	1 Strip of 1-100
RC610/101-200	1 Strip of 101-200
RC610/201-300	1 Strip of 201-300
RC610/301-400	1 Strip of 301-400
RC610/401-500	1 Strip of 401-500
RTM7	Top Mount, Blank, 19.7"L (50 cm)